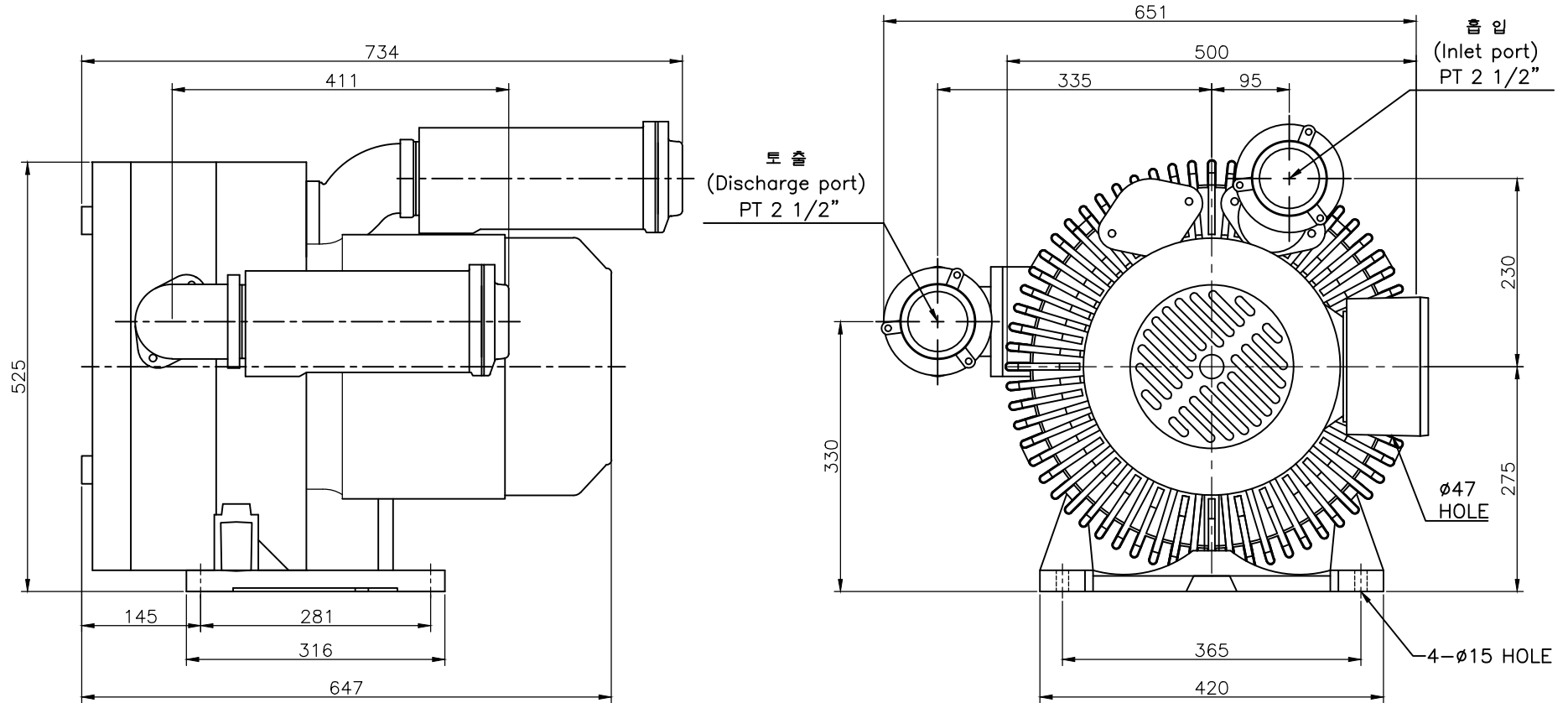


NOTE 1)



△				Revision		Date	Draw	Check	Appr.
No.									
형식 TYPE	HRB-1102MP			도명 TITLE	OUTWARD DWG.				
DRAWN	DESIGN	CHECKED	APPROVED	3RD ANGLE	SCALE:1/1	UNIT:mm			
B.S.Kim				SIZE	3φ 2P 12.6Kw				
17.03.09									
 黃海電機 HWANG HAE ELECTRIC				도번 DWG. No.	BOD00190			△	