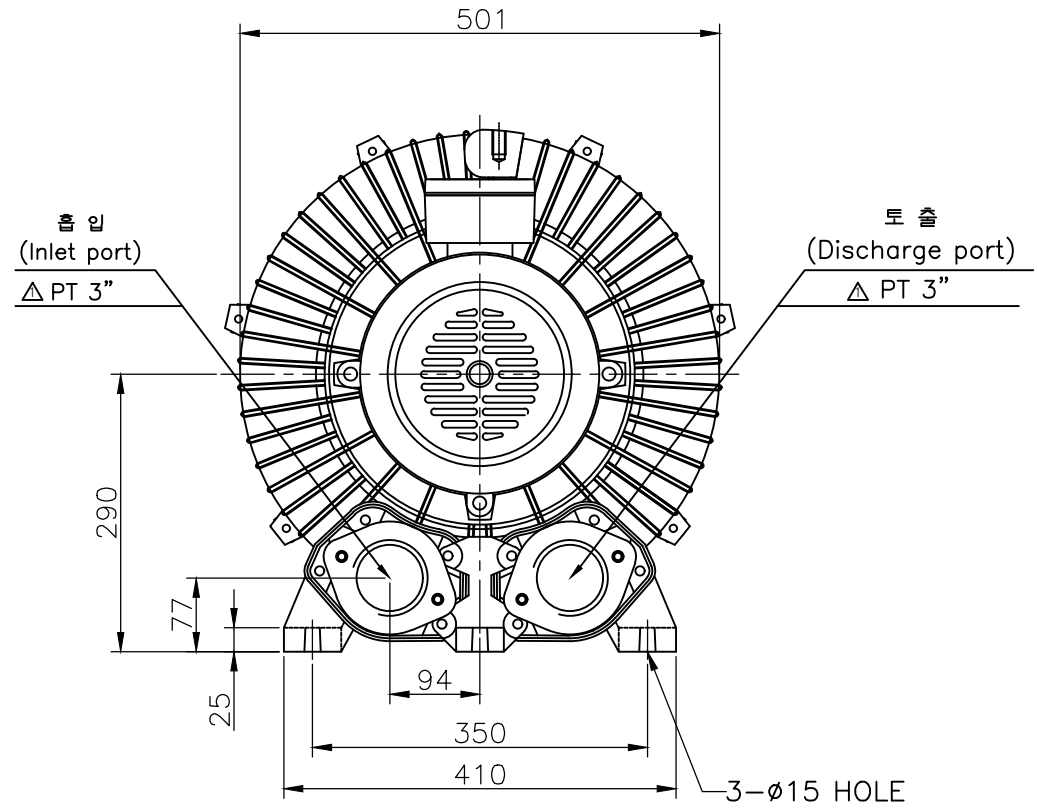
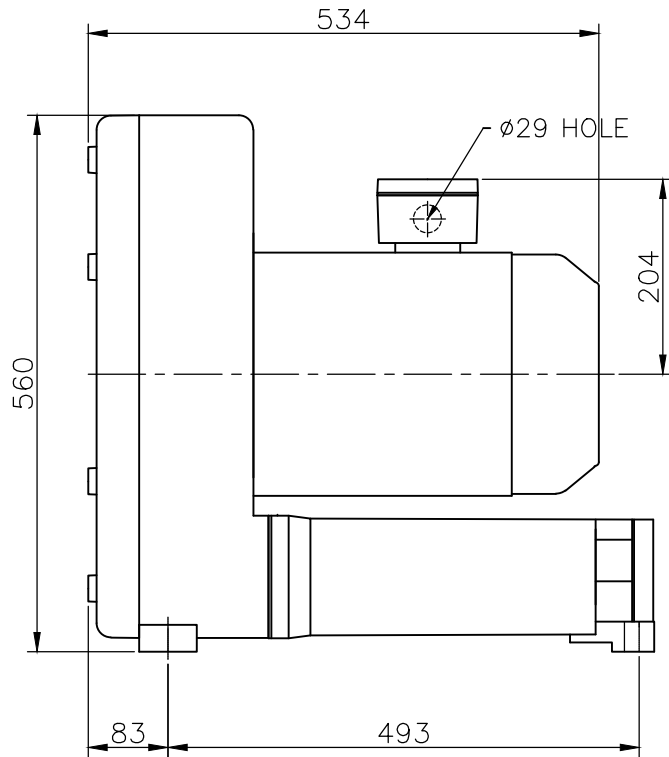


No.	PART NAME	MATERIAL	Qt'y	SIZE	REMARK
01					



△ 토출 플랜지 가공 여유 없어 PT 4" Option 제거		17.01.05			
No.	Revision	Date	Draw	Check	Appr.
형식 TYPE	HRB-1110	도명 TITLE	OUTWARD DWG.		
DRAWN	DESIGN	CHECKED	APPROVED	3RD ANGLE	SCALE:1/1 UNIT:mm
B.S.Kim				SIZE	3ø 2P 8.6Kw
13.04.29				도번 DWG. No	BOD00315 △
黃海電機 HWANG HAE ELECTRIC					