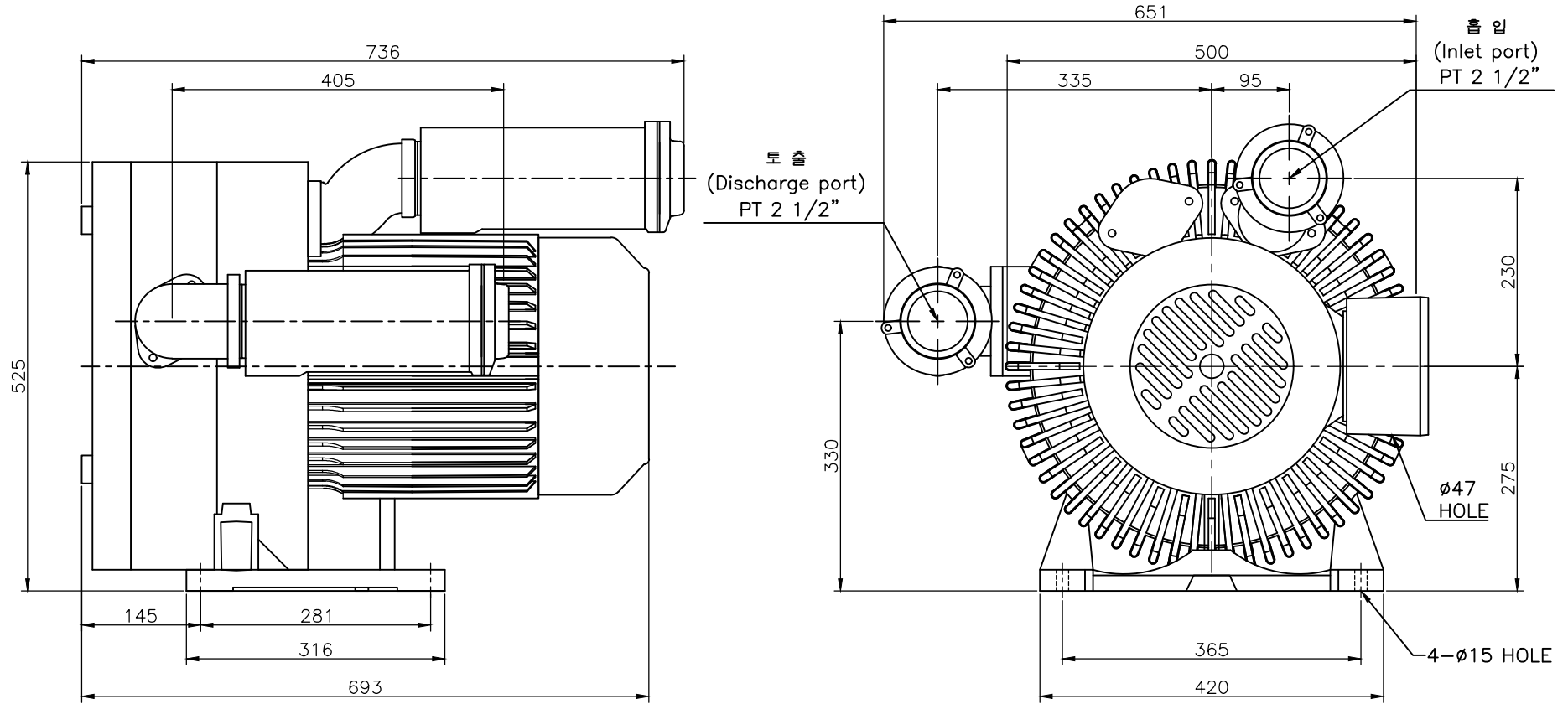



NOTE 1)



|  |             |          |             |                |              |         |       |
|--|-------------|----------|-------------|----------------|--------------|---------|-------|
| △  |             | Revision |             | Date           | Draw         | Check   | Appr. |
| No.  |             |          |             |                |              |         |       |
| 형식<br>TYPE   | HRB-1202 MP |          | 도명<br>TITLE | OUTWARD DWG.   |              |         |       |
| DRAWN  | DESIGN      | CHECKED  | APPROVED    | 3RD ANGLE      | SCALE:1/1    | UNIT:mm |       |
| B.S.Kim  |             |          |             | SIZE           | 3φ 2P 17.3Kw |         |       |
| 17.03.09   |             |          |             |                |              |         |       |
|  黃海電機<br>HWANG HAE ELECTRIC |             |          |             | 도번<br>DWG. No. | BOD00186     |         | △     |