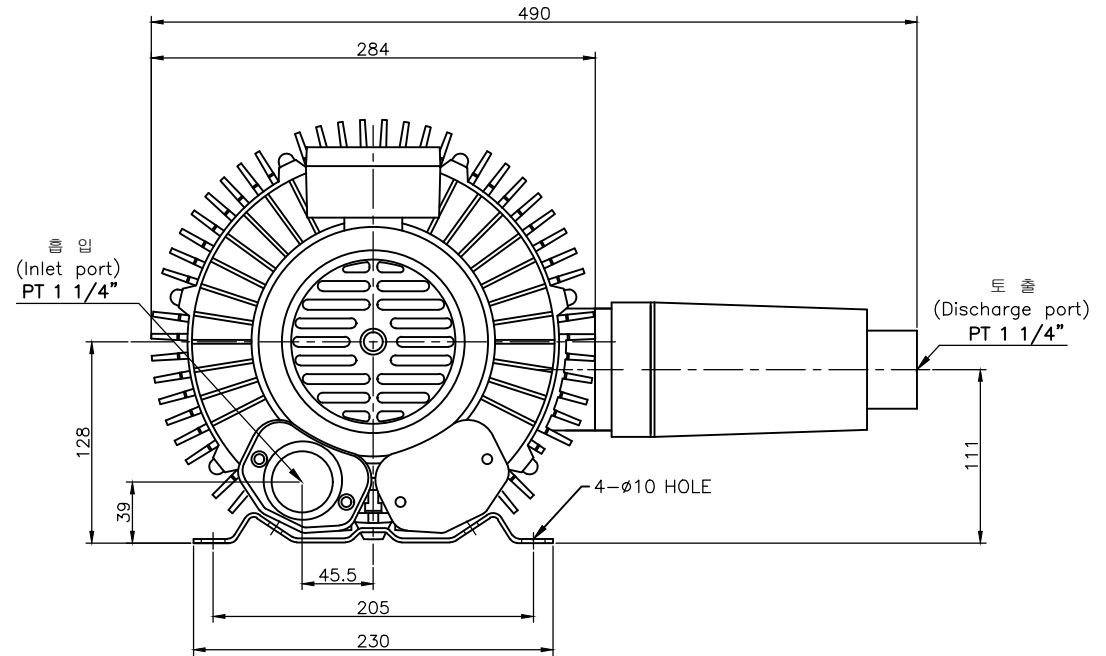
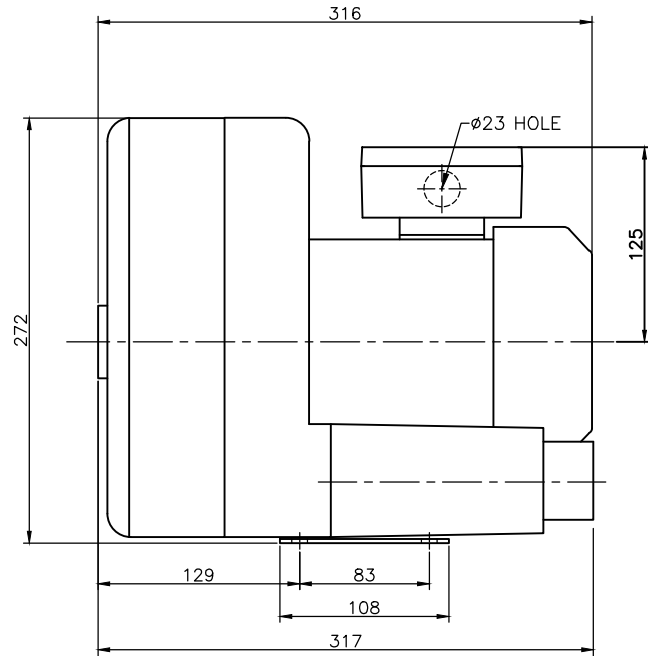


NOTE 1)

No.	PART NAME	MATERIAL	Qt'y	SIZE	REMARK
01					



△						00					
No.	Revision					Date	Draw	Check	Appr.		
형식 TYPE	HRB-202MP				도명 TITLE	OUTWARD DWG.					
DRAWN	DESIGN	CHECKED	APPROVED	3RD ANGLE	SCALE: 1/1	UNIT: mm					
B.S.Kim				SIZE	3ø 2P 0.93Kw						
13.04.22											
黃海電機 HWANG HAE ELECTRIC						도번 DWG. No.	BOD00158		△		