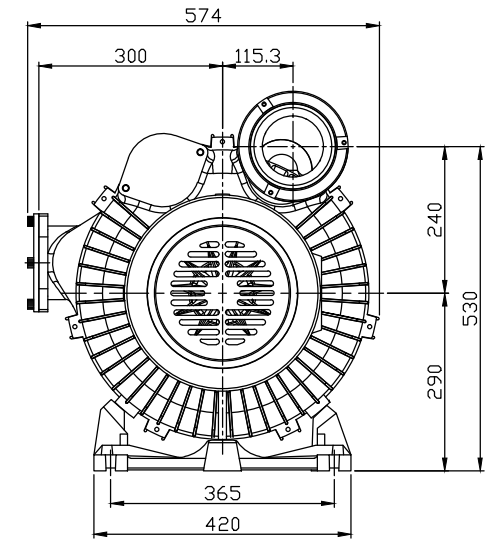
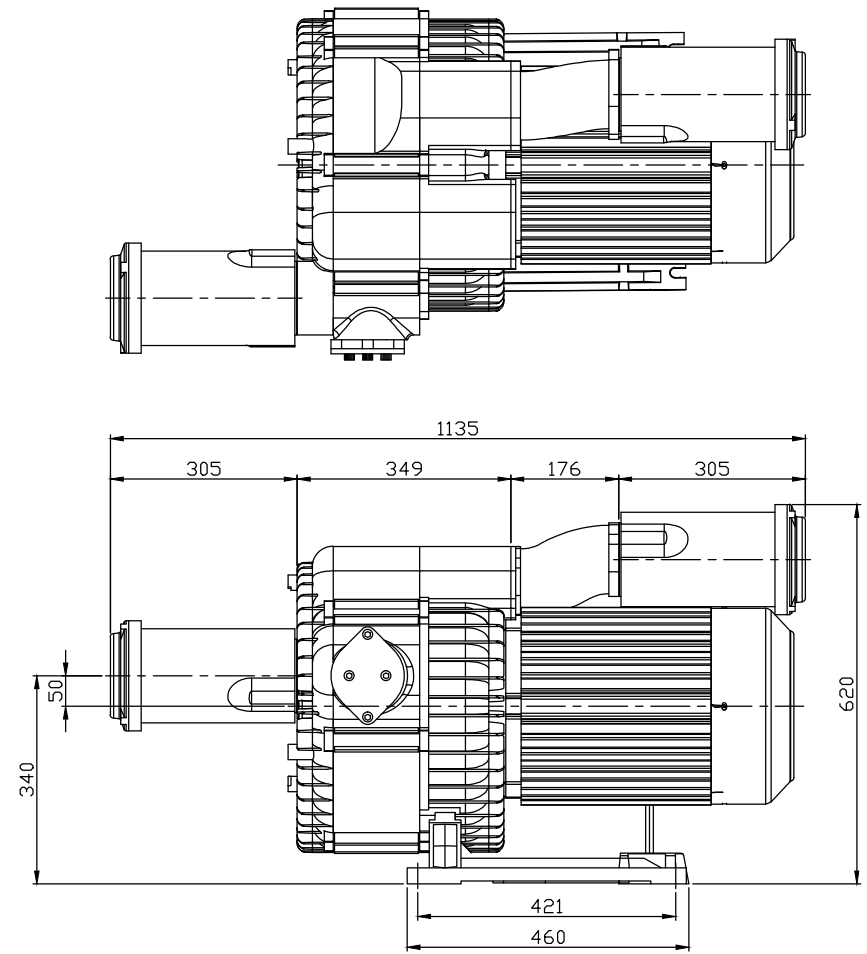


No.	PART NAME	MATERIAL	Qt'y	SIZE	REMARK
01					



△					00					
No.	Revision				Date	Draw	Check	Appr.		
형식 TYPE	HSB-30152(15루베)			도명 TITLE	OUTWARD DWG.					
DRAWN	DESIGN	CHECKED	APPROVED	3RD ANGLE	SCALE:1/1	UNIT:mm				
B.S.Kim				SIZE	3φ 2P 15.5Kw					
11.08.29										
黃海電機 HWANG HAE ELECTRIC				도번 DWG. No.	BOD00206					